

[www.gsace.com](http://www.gsace.com)

# **NEW** PROFILE RACKING SYSTEM

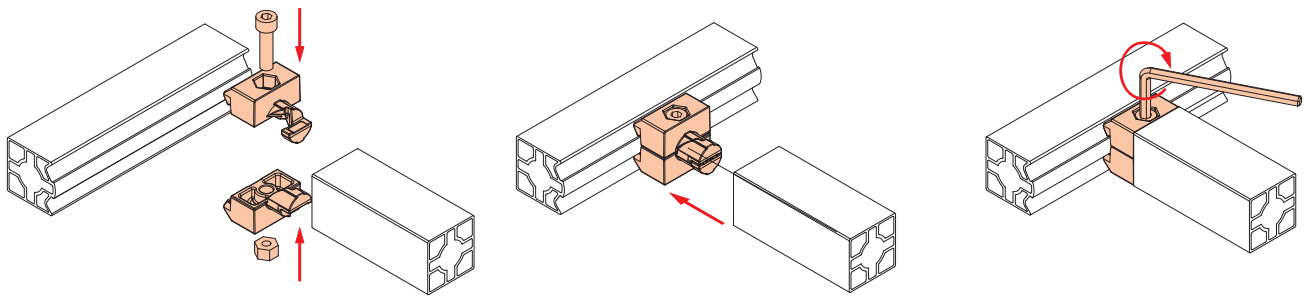


**G.S.ACE** G.S.ACE INDUSTRY CO., LTD.

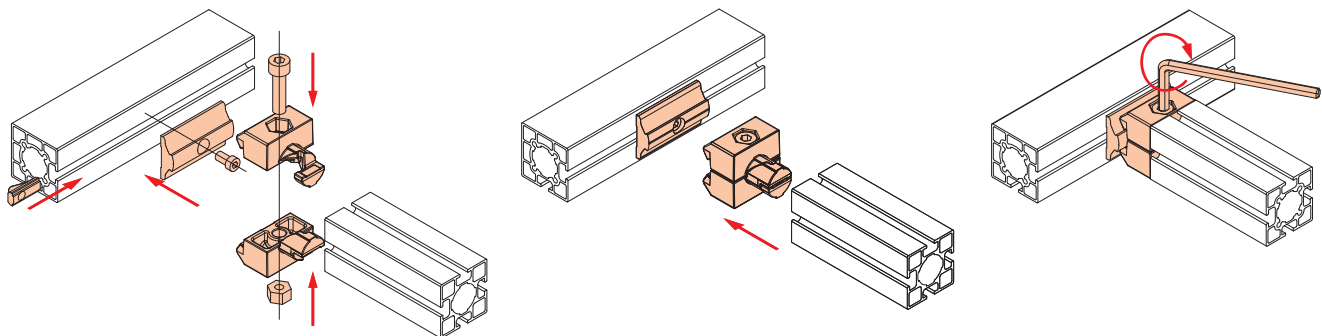
# RACKING SYSTEM PRODUCT FEATURES

- More Convenient to assemble than Aluminum Profile (Reduce assembly time about 40 % )
- Smooth appearance without grooves ( No need to T-backing when used in Clean Room )
- Lightweight and Low cost compared to Aluminum profile.
- Flat Rack Configuration with Aluminum Square pipe and Joint  
( Easy to assemble for flat surface and fix with accessories )
- Compatibility with  $\varnothing 28$  &  $\varnothing 43$  Aluminum Circular Pipe's Joint
- Can be used with existing Joint of  $\varnothing 28$  and  $\varnothing 43$  aluminum round pipe and various accessories
- Can be used T groove and various available accessories

## How to assemble with Joint

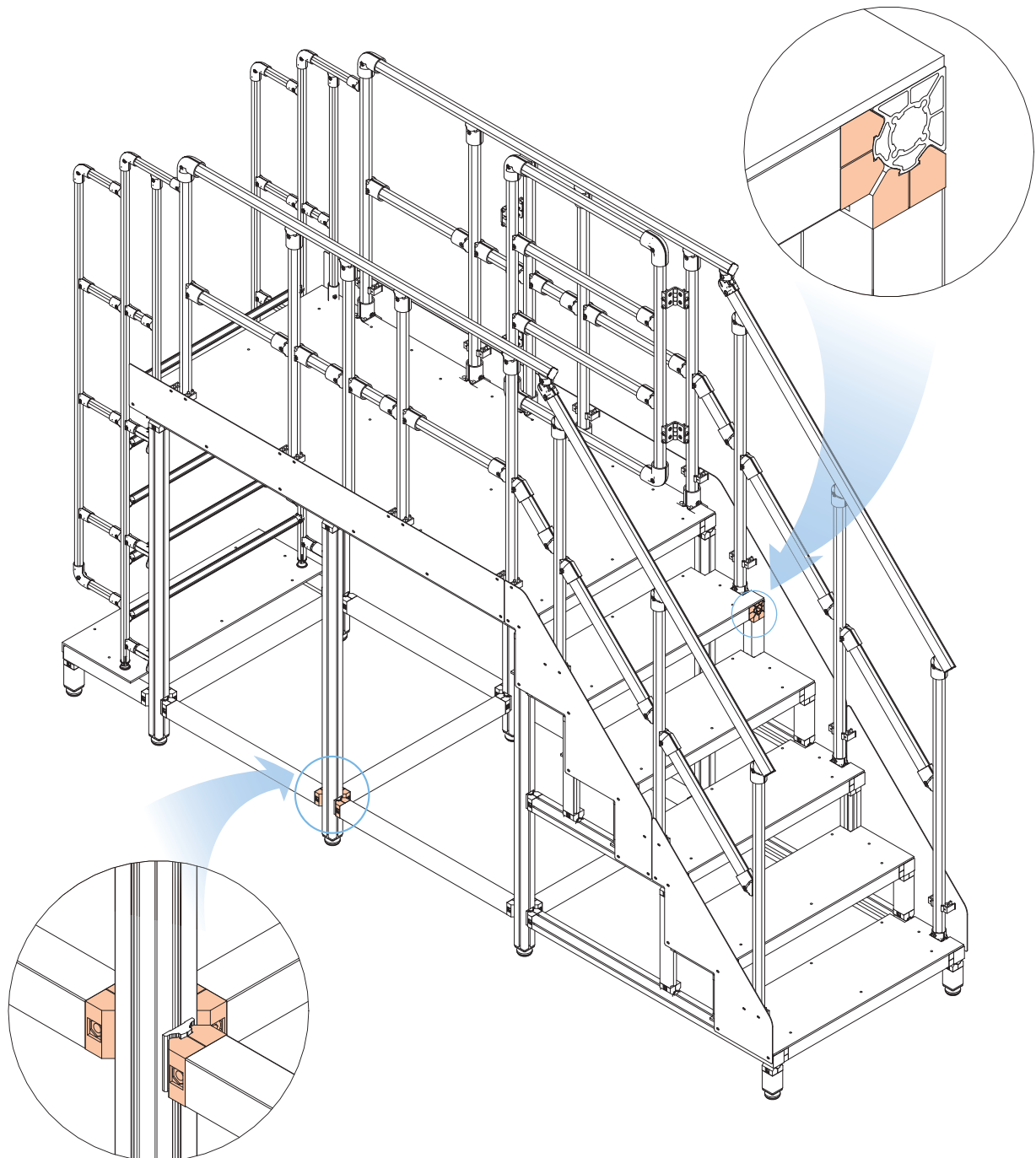


## How to assemble using T-groove



# NEW AL PROFILE RACKING SYSTEM

## NEW PROFILE Application Example



# NEW AL PROFILE RACKING SYSTEM

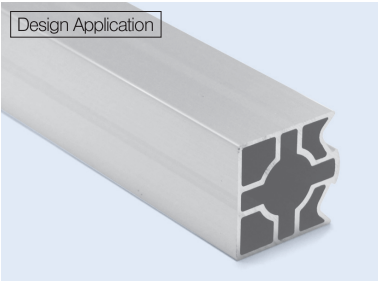
## 40X40 ALUMINUM PROFILE

Unit : mm

### ASJ4040A

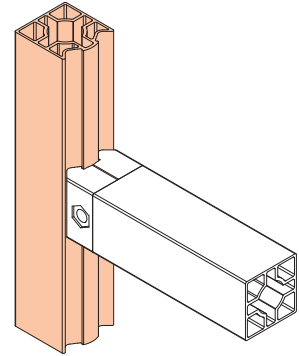
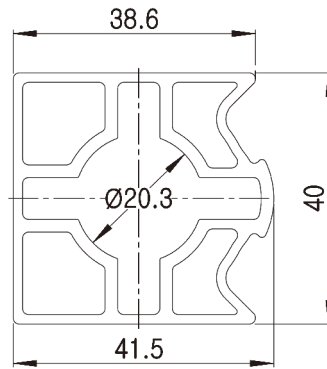
Single direction joint assembly Type

Design Application

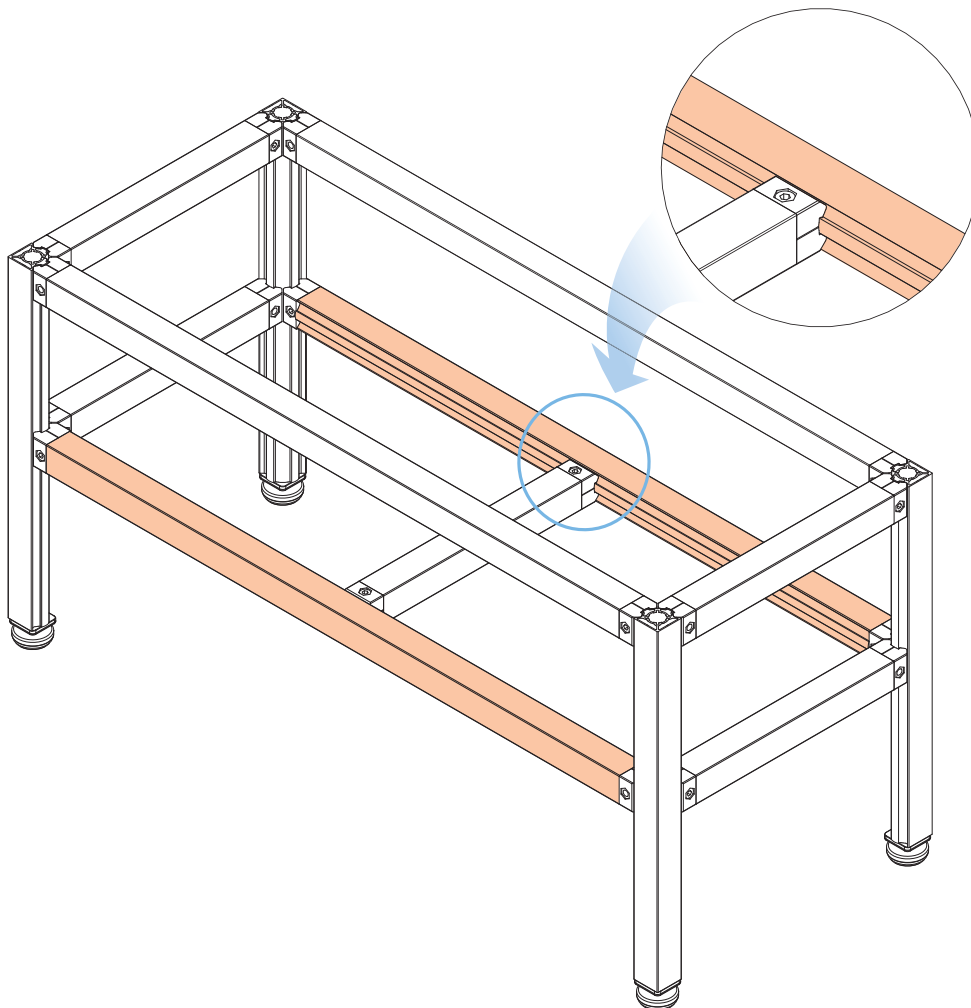


Material	A6063-T5
Weight	1.200 kg/m
Surface Treatment	PE-Coating

\* Surface Treatment Option : Anodizing



### ASJ4040A Application Example

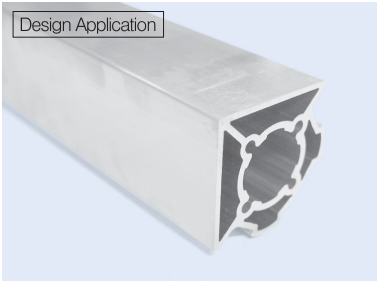


# NEW AL PROFILE RACKING SYSTEM

## 40X40 ALUMINUM PROFILE

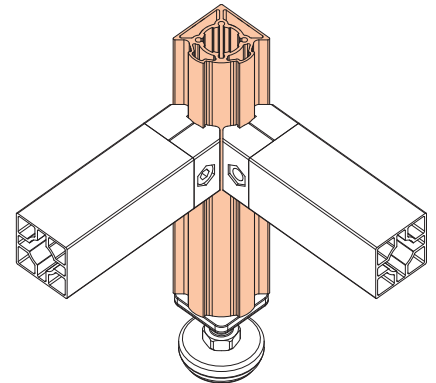
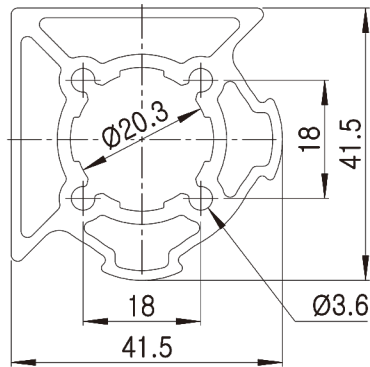
Unit : mm

### ASJ4040B Two direction Joint assembly Type (for Colum)

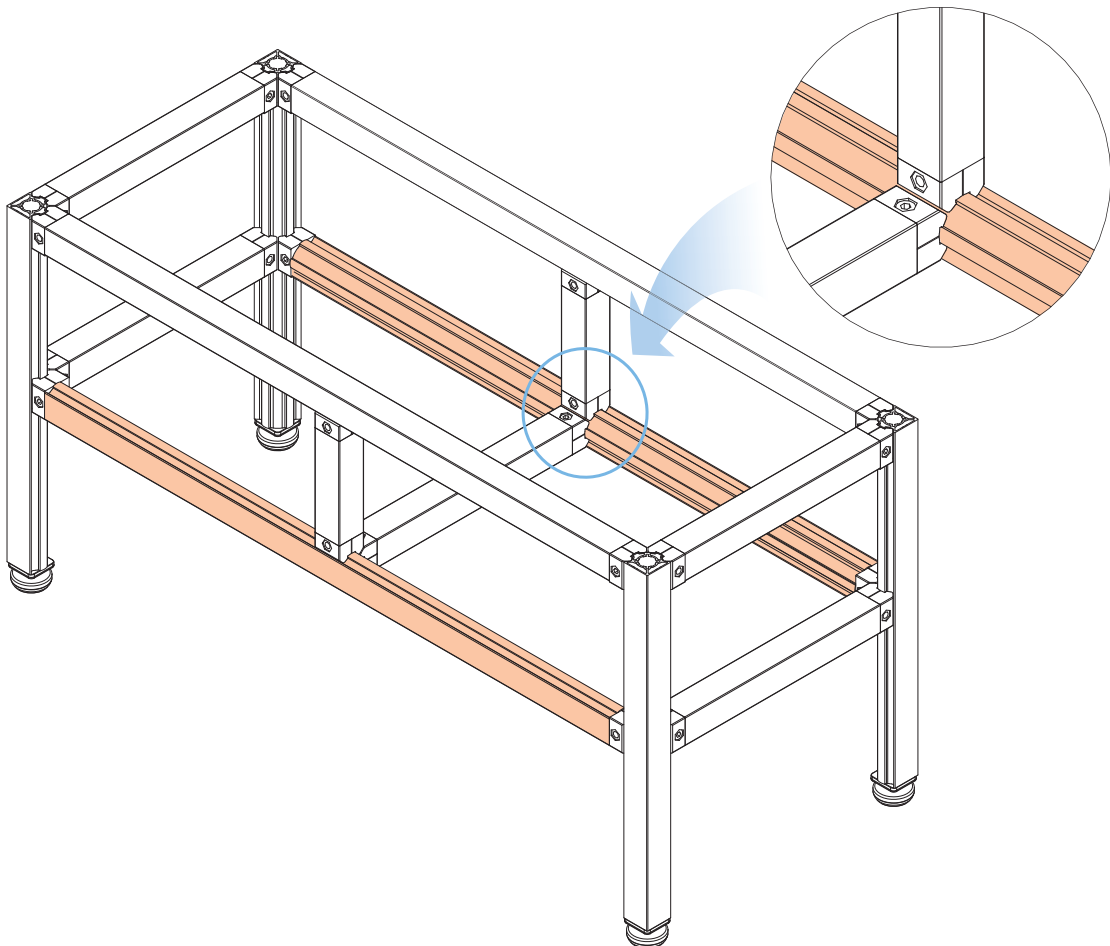


Material	A6063-T5
Weight	1.195 kg/m
Surface Treatment	PE-Coating

\* Surface Treatment Option : Anodizing



### ASJ4040B Application Example



# NEW AL PROFILE RACKING SYSTEM

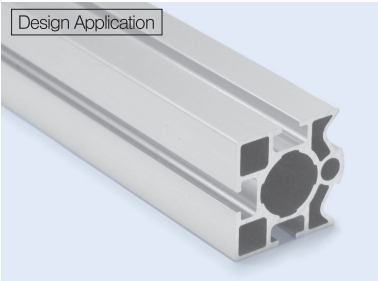
## 40X40 ALUMINUM PROFILE

Unit : mm

### ASM4040A

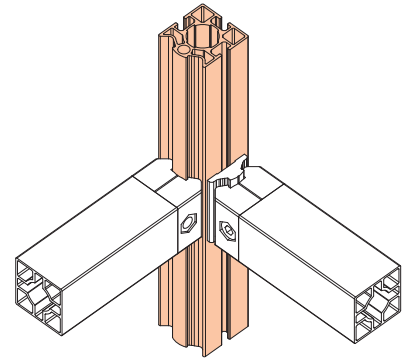
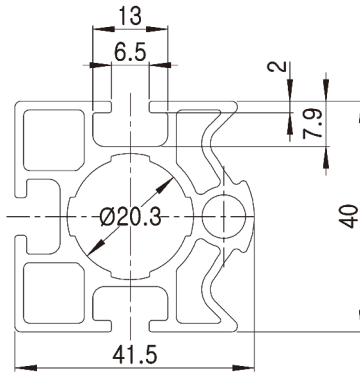
Combination Type ( Three direction assembly using T-groove, One direction assembly with Joint)

Design Application

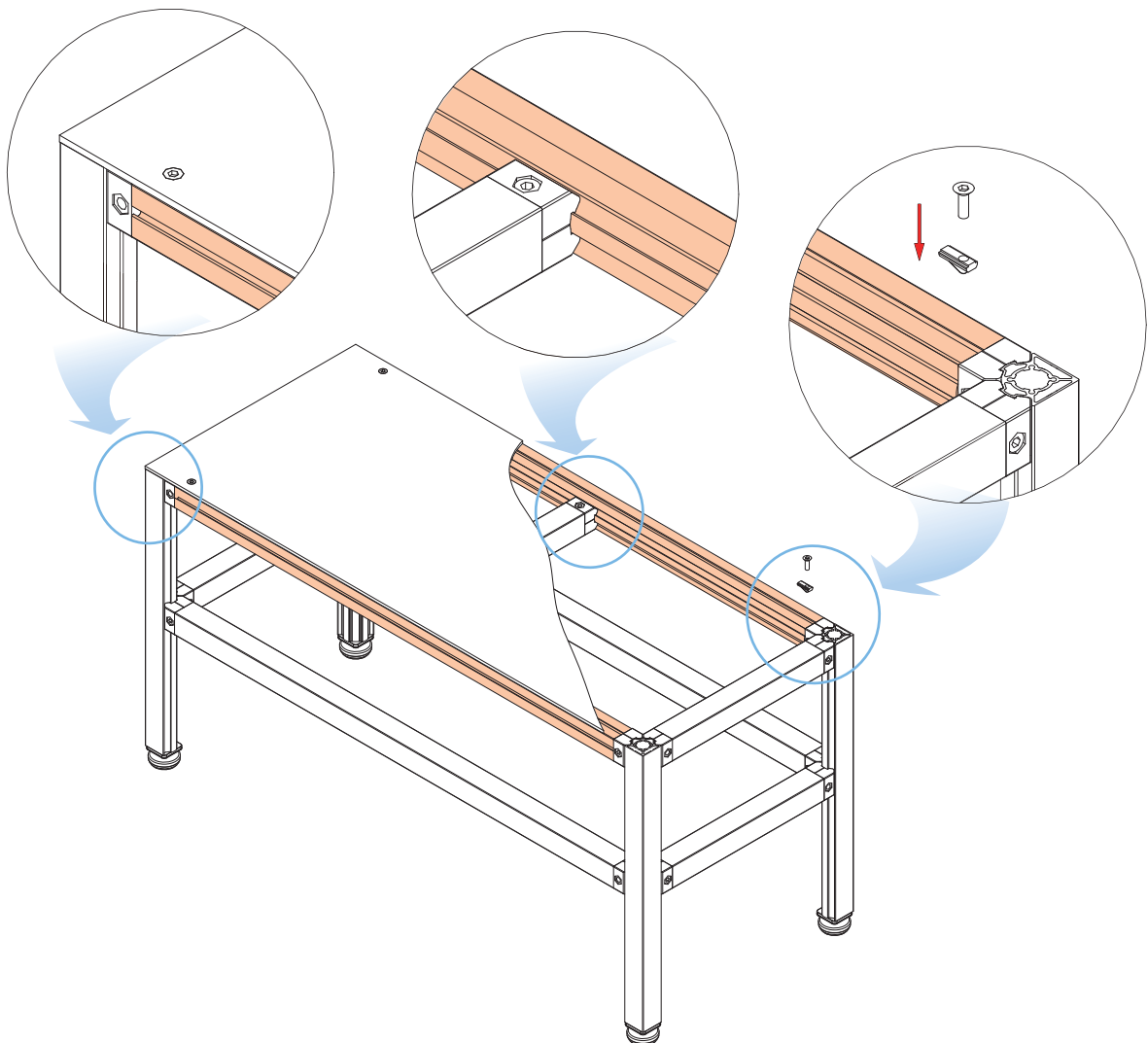


Material	A6063-T5
Weight	1.292 kg/m
Surface Treatment	PE-Coating

\* Surface Treatment Option : Anodizing



### ASM4040A Application Example

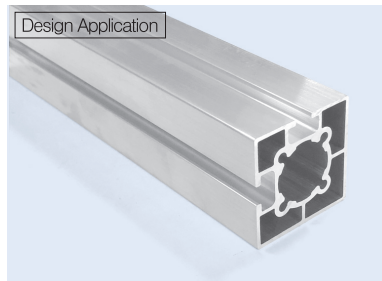


# NEW AL PROFILE RACKING SYSTEM

## 40X40 ALUMINUM PROFILE

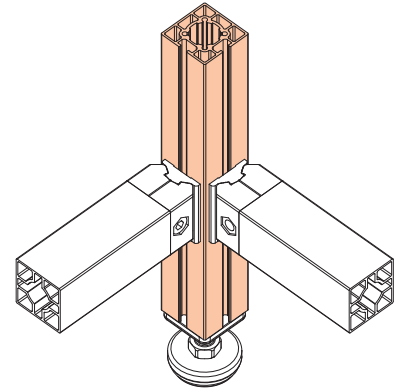
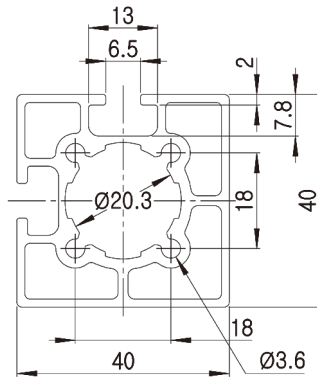
Unit : mm

### AST4040A Two direction assembly Type (using T-groove, for Colum )

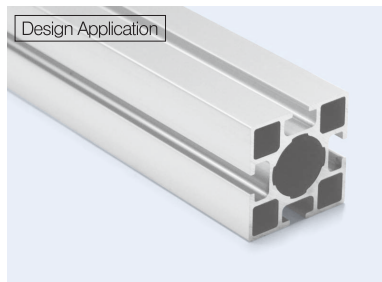


Material	A6063-T5
Weight	1.190 kg/m
Surface Treatment	PE-Coating

\* Surface Treatment Option : Anodizing

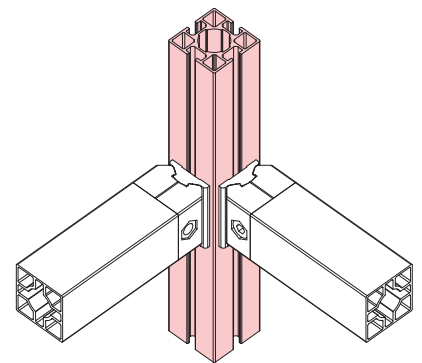
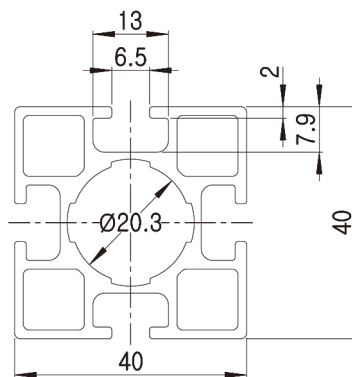


### AST4040B Four direction assembly Type (using T-groove)

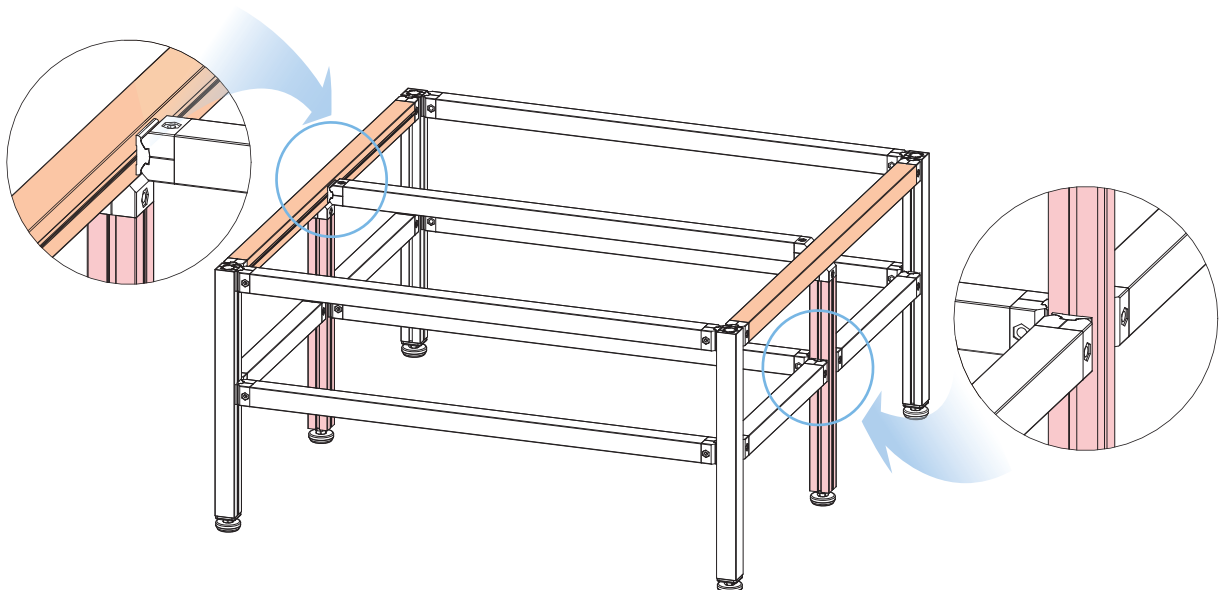


Material	A6063-T5
Weight	1.264 kg/m
Surface Treatment	PE-Coating

\* Surface Treatment Option : Anodizing



### Using T-Groove Assembly Application Example



# NEW AL PROFILE RACKING SYSTEM

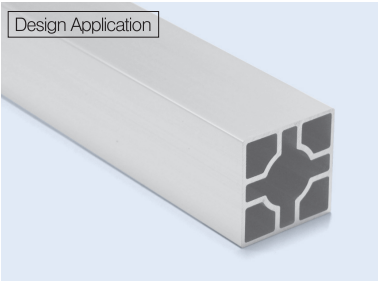
## 40X40 ALUMINUM PROFILE

Unit : mm

### AST4040C

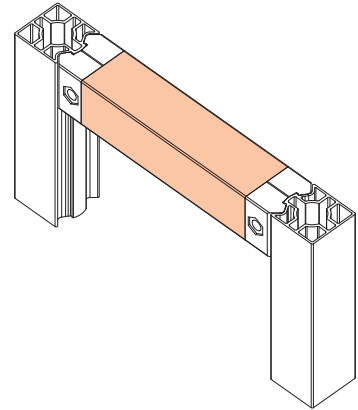
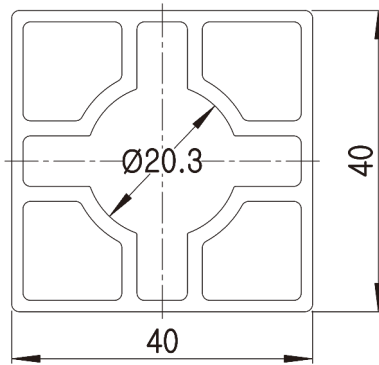
**Sleek Type** ( It can prevent dust entry and accumulation because there is no T-Groove )

Design Application

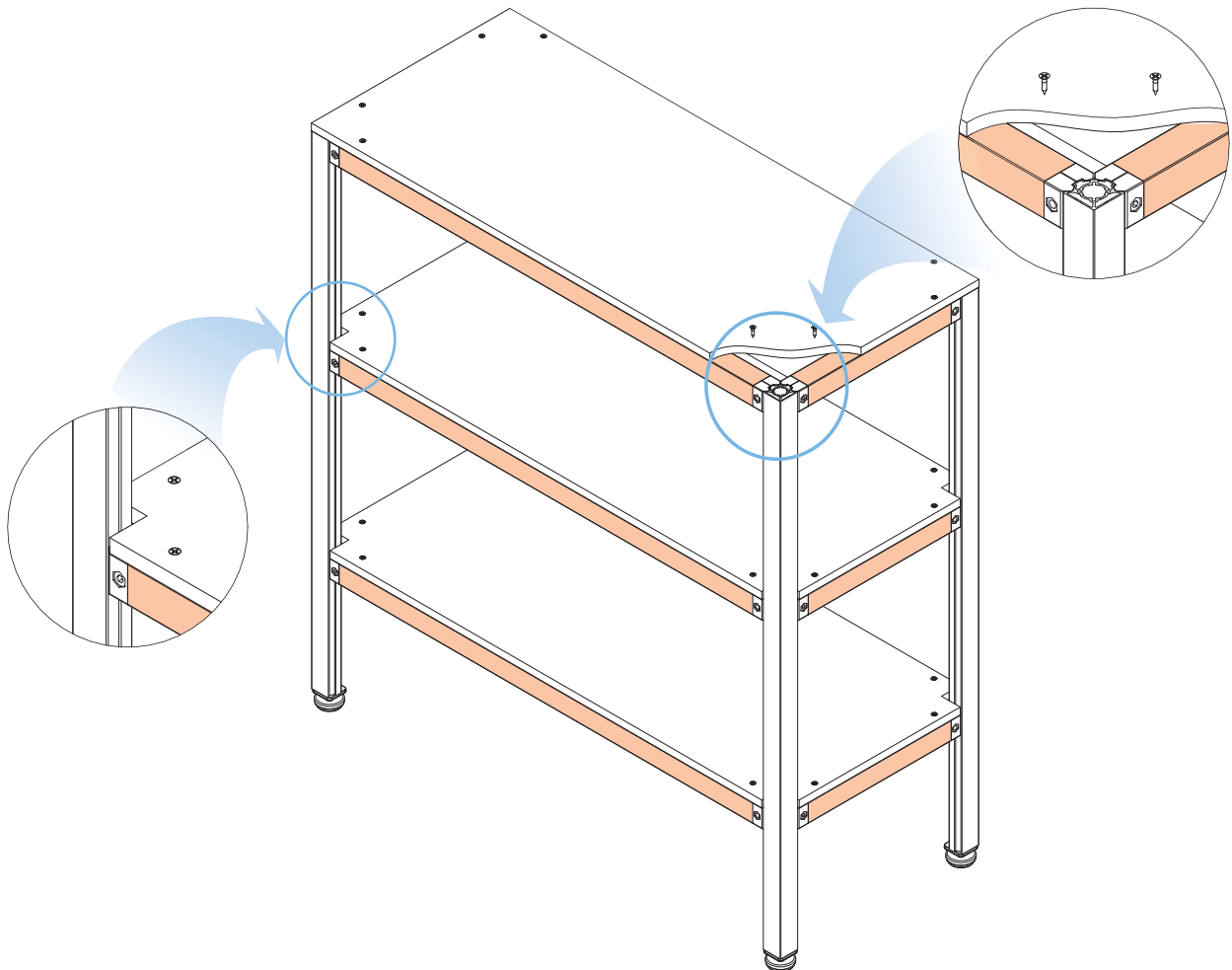


Material	A6063-T5
Weight	1.175 kg/m
Surface Treatment	PE-Coating

\* Surface Treatment Option : Anodizing



### AST4040C Application Example





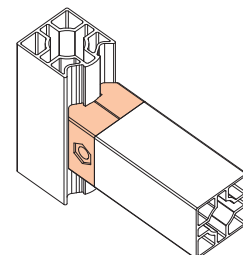
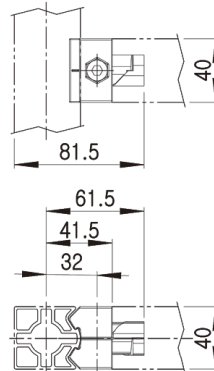
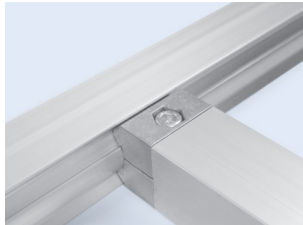
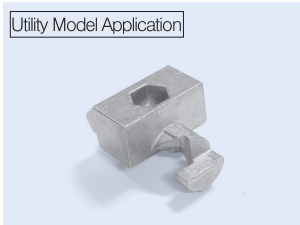
# NEW AL PROFILE RACKING SYSTEM

## 40X40 ALUMINUM JOINTS & ACCESSORIES

Unit : mm

### D-001 Square Joint for 40x40

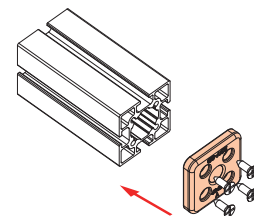
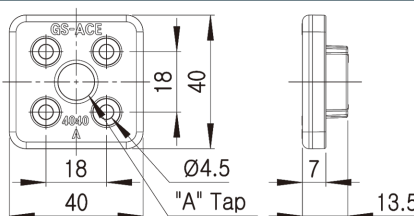
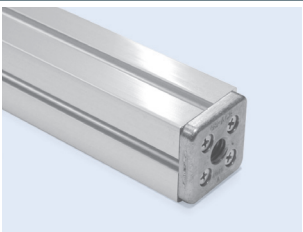
Utility Model Application



- Weight : 0.044kg
- Q'ty/Box : 120EA

- D-001 : 2EA
- M0830/N08 : 1set
- Weight : 0.108kg
- Q'ty/Box : 60set

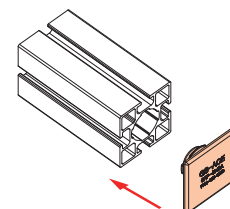
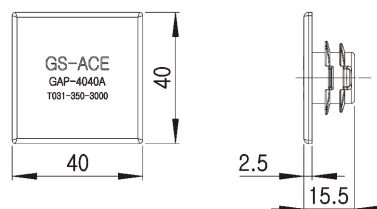
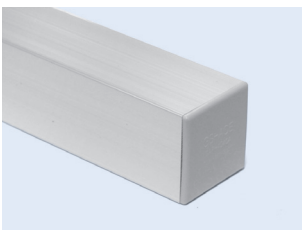
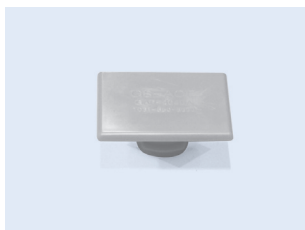
### BA4040A/B : Aluminum Bushing for 40x40



- Weight : 0.027kg
- Q'ty/Box : 200EA

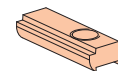
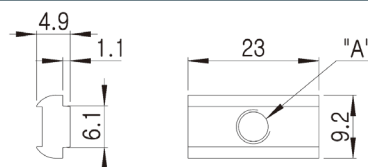
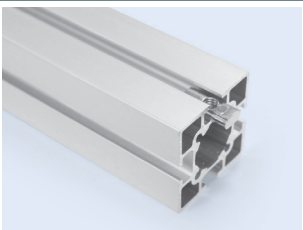
Part No.	"A" Tap	Remark
BA4040A	1/2"-12N	
BA4040B	M12-p1.75	

### GAP-4040A Inner cap for 40x40



- Weight : 0.005kg
- Q'ty/Box : 1200EA

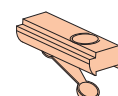
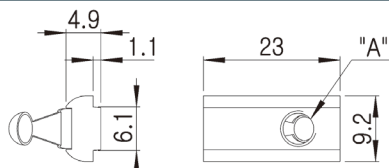
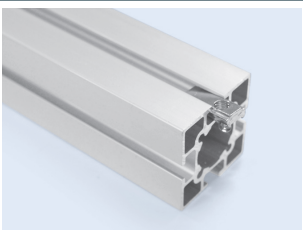
### IN304/305/306 Insert Nut



- Weight : 0.005kg
- Q'ty/Box : 1000EA

Part No.	"A" Tap	Remark
IN304	M4	
IN305	M5	
IN306	M6	

### SN304/305/306 Spring Nut



- Weight : 0.005kg
- Q'ty/Box : 1000EA

Part No.	"A" Tap	Remark
SN304	M4	
SN305	M5	
SN306	M6	

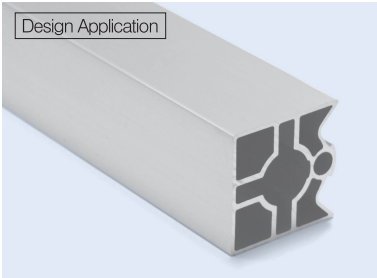
# NEW AL PROFILE RACKING SYSTEM

## 45X45 ALUMINUM PROFILE

Unit : mm

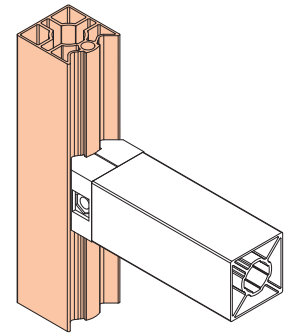
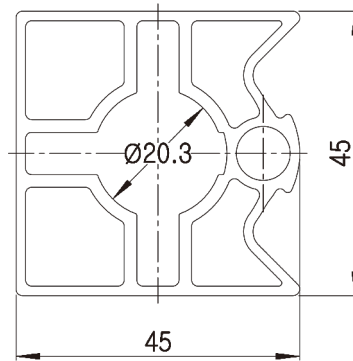
### ASJ4545A

Single direction joint assembly Type

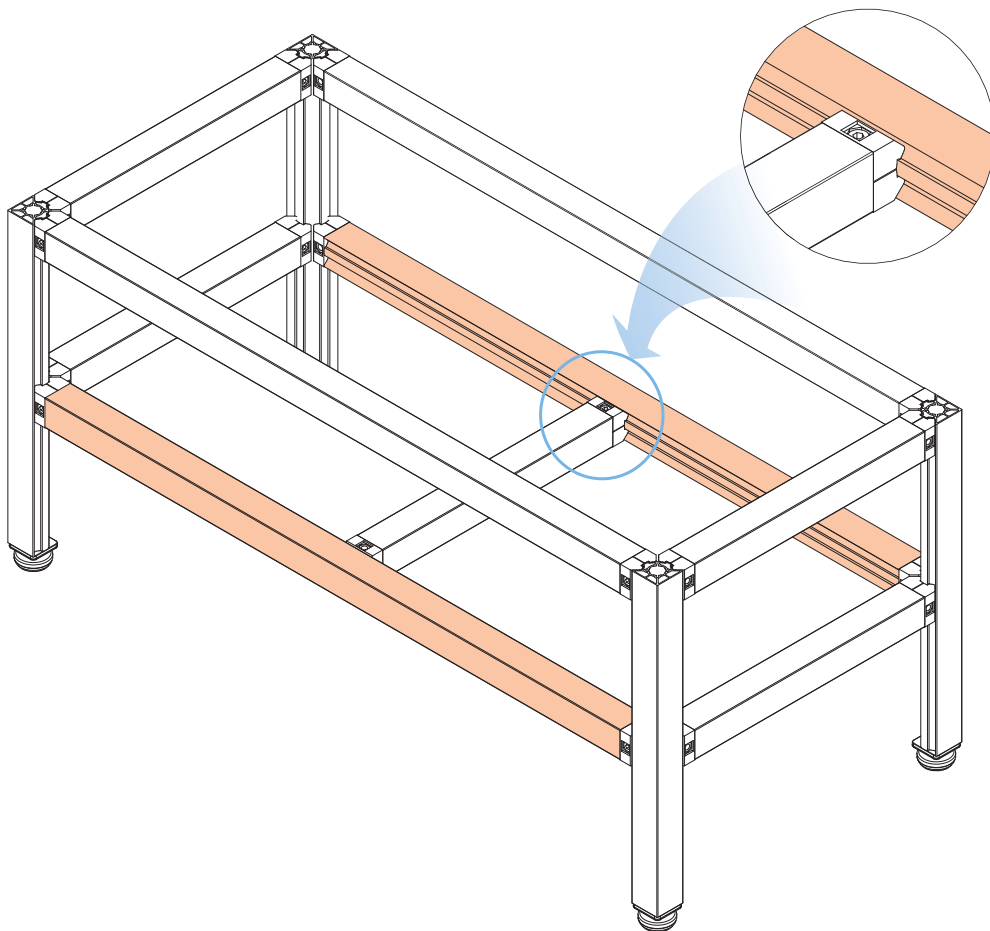


Material	A6063-T5
Weight	1.412 kg/m
Surface Treatment	PE-Coating

\* Surface Treatment Option : Anodizing



### ASJ4545A Application Example

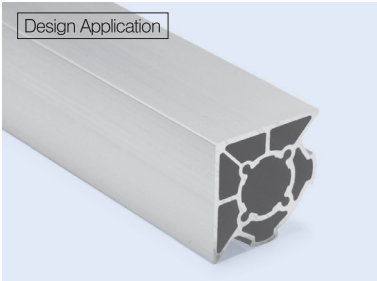


# NEW AL PROFILE RACKING SYSTEM

## 45X45 ALUMINUM PROFILE

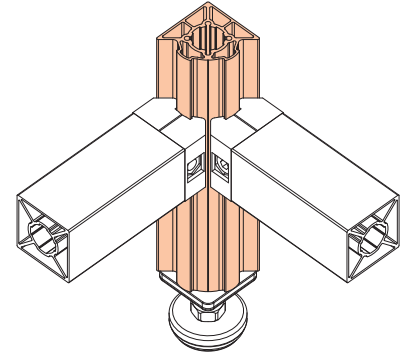
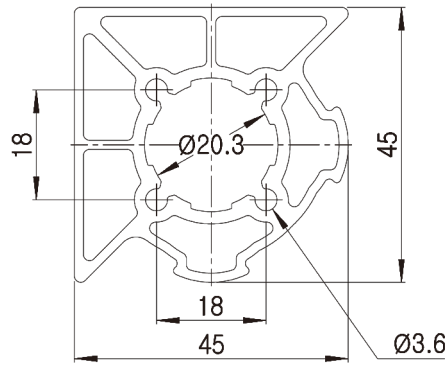
Unit : mm

### ASJ4545B Square profile for Two direction Joint assembly ( for colum )

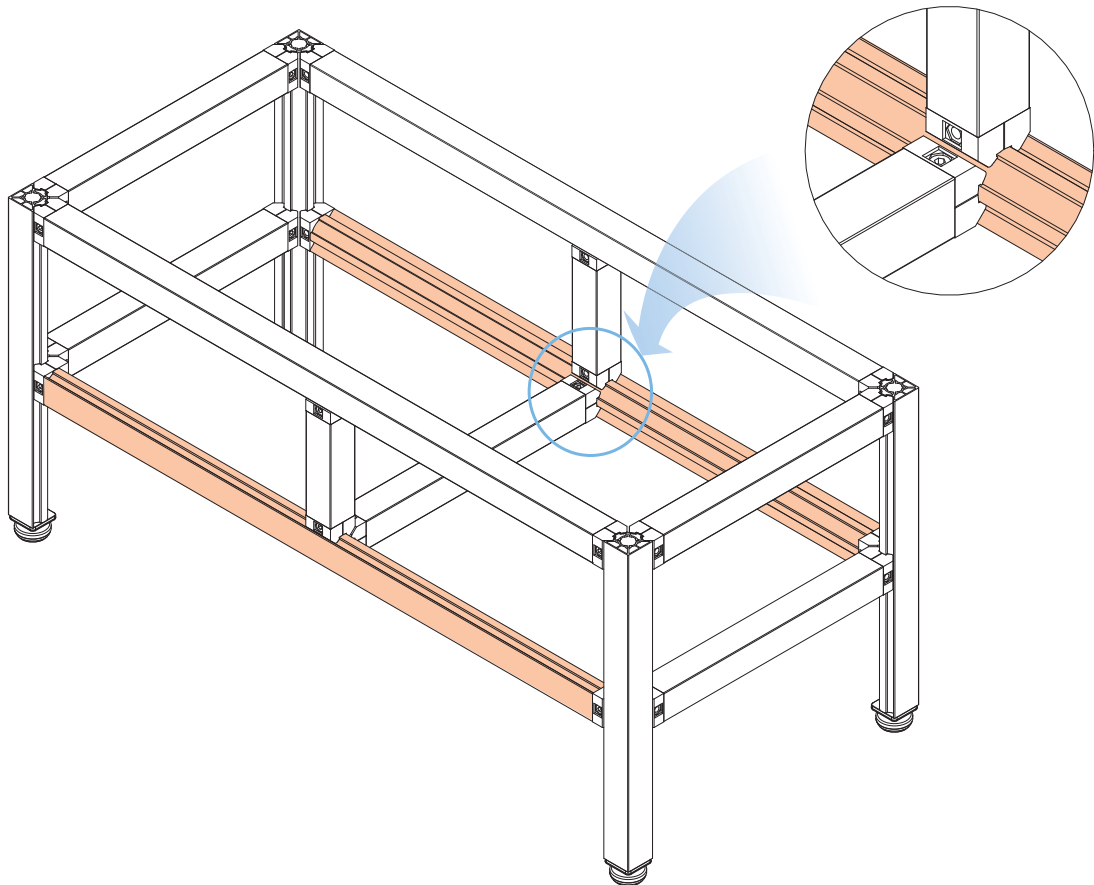


Material	A6063-T5
Weight	1.320 kg/m
Surface Treatment	PE-Coating

\* Surface Treatment Option : Anodizing



### ASJ4545B Application Example



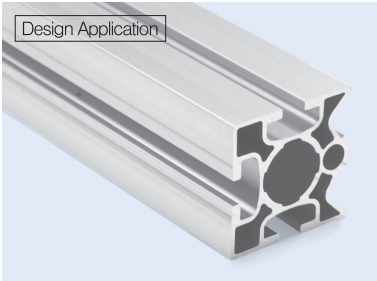
# NEW AL PROFILE RACKING SYSTEM

## 45X45 ALUMINUM PROFILE

Unit : mm

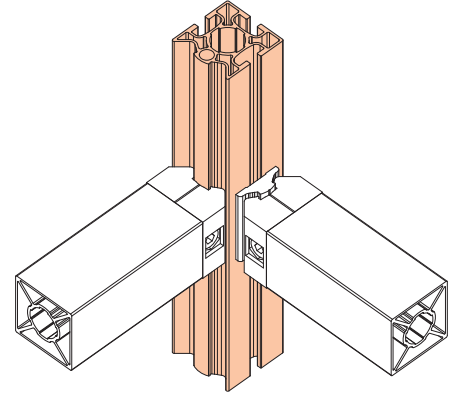
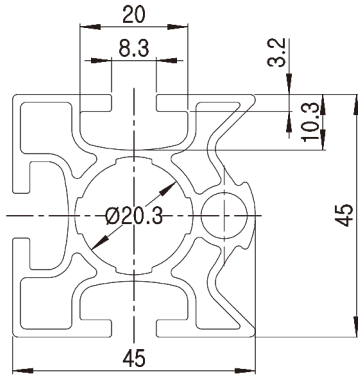
### ASM4545A

Combination Type ( Three direction assembly using T-groove, One direction assembly with Joint)

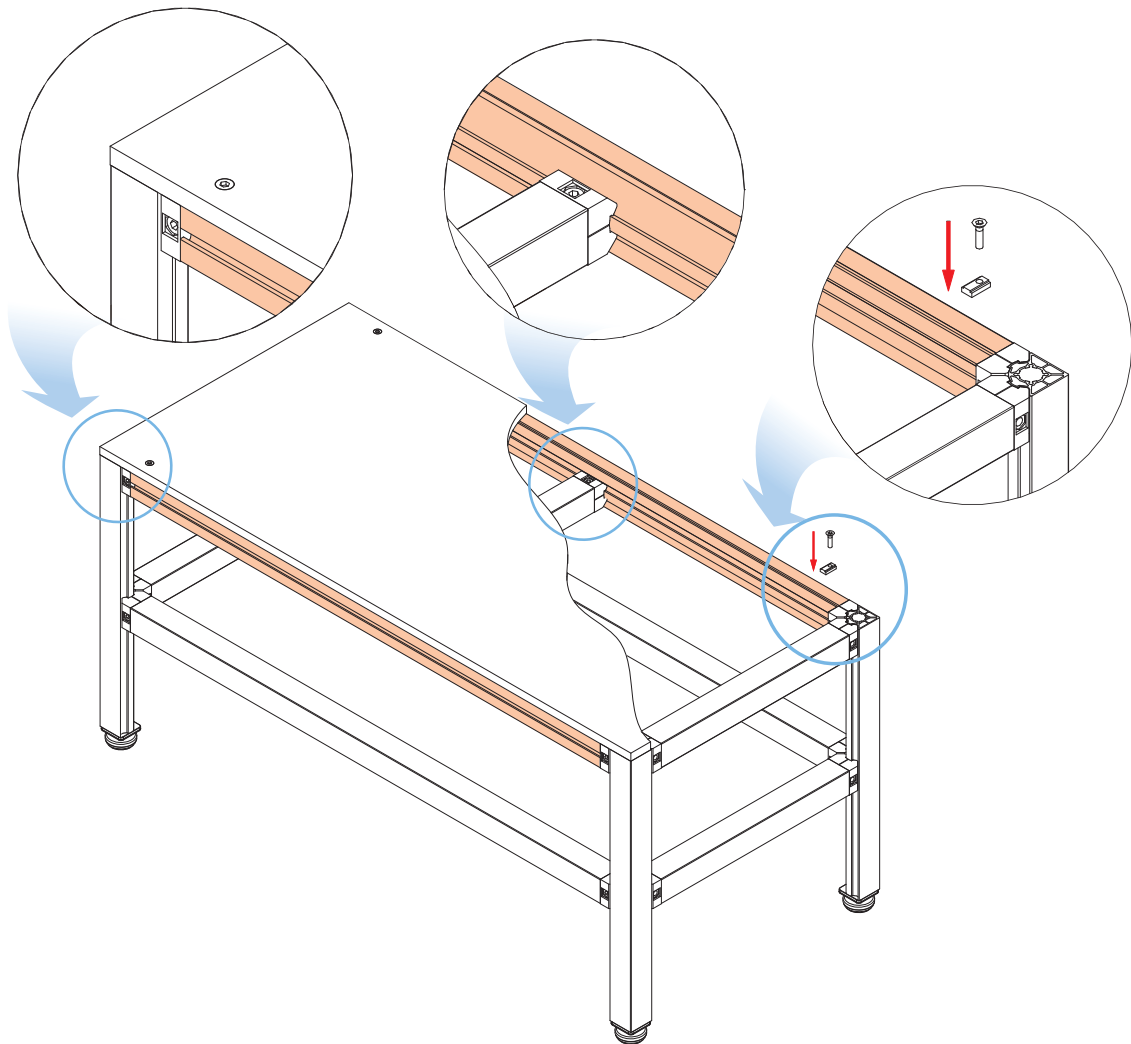


Material	A6063-T5
Weight	1.595 kg/m
Surface Treatment	PE-Coating

\* Surface Treatment Option : Anodizing



### ASM4545A Application Example

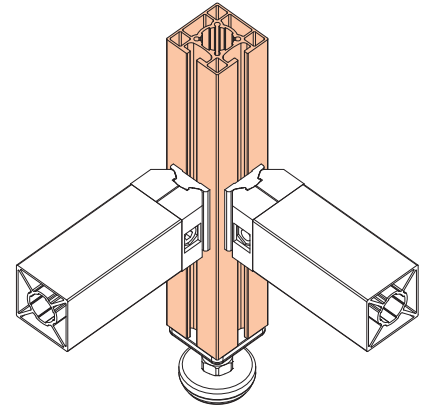
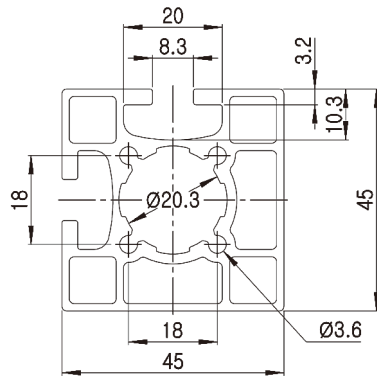
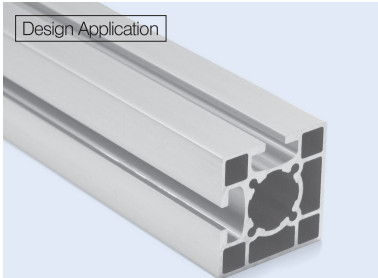


# NEW AL PROFILE RACKING SYSTEM

## 45X45 ALUMINUM PROFILE

Unit : mm

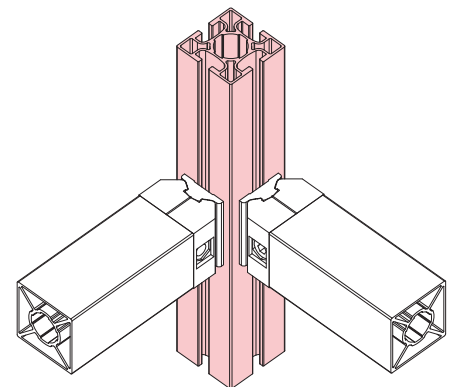
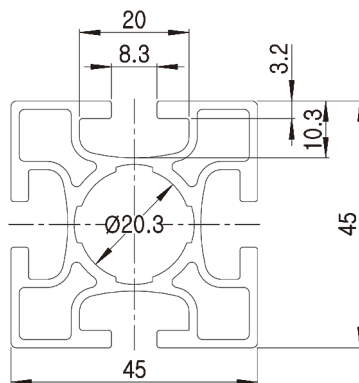
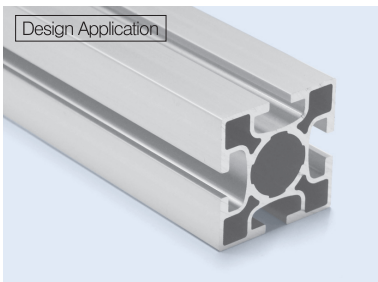
### AST4545A Two direction assembly Type (using T-groove, for Colum )



Material	A6063-T5
Weight	1.513 kg/m
Surface Treatment	PE-Coating

\* Surface Treatment Option : Anodizing

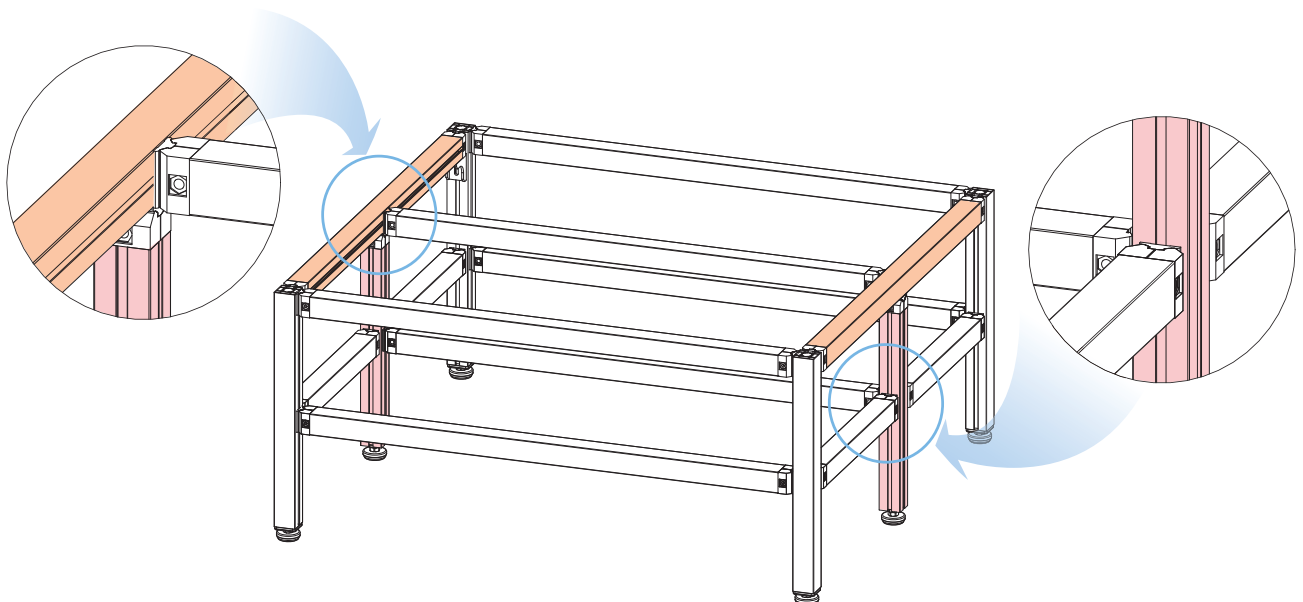
### AST4545B Four direction assembly Type (using T-groove)



Material	A6063-T5
Weight	1.607 kg/m
Surface Treatment	PE-Coating

\* Surface Treatment Option : Anodizing

### Using T-Groove Assembly Application Example



# NEW AL PROFILE RACKING SYSTEM

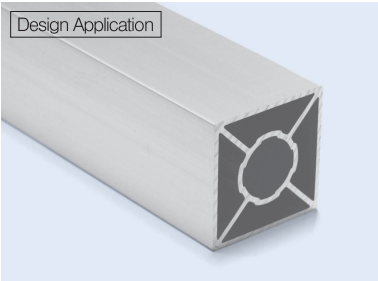
## 45X45 ALUMINUM PROFILE

Unit : mm

### AST4545C

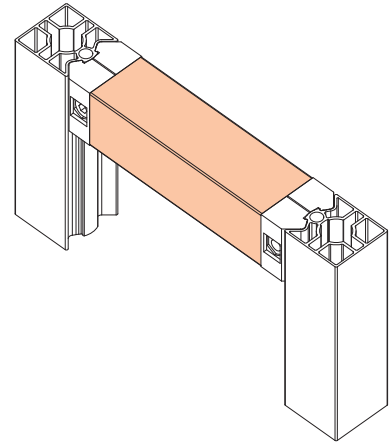
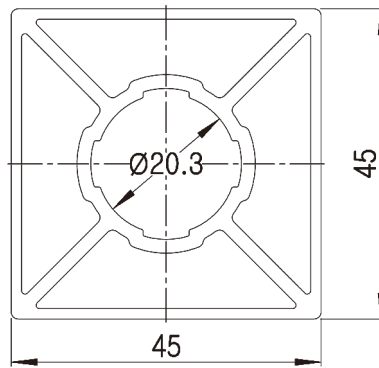
**Sleek Type** (It can prevent dust entry and accumulation because there is no T-Groove)

Design Application

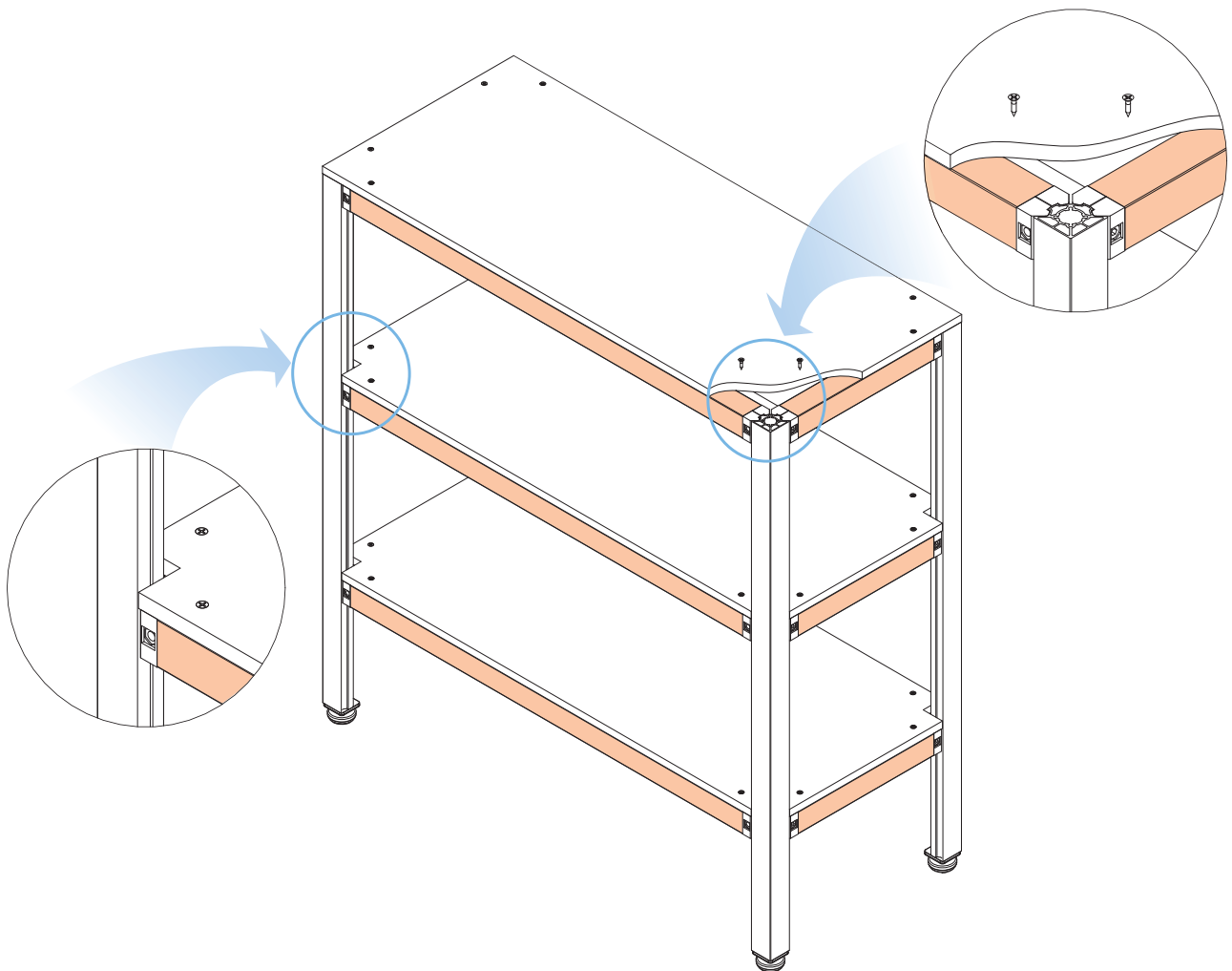


Material	A6063-T5
Weight	1.495 kg/m
Surface Treatment	PE-Coating

\* Surface Treatment Option : Anodizing



### AST4545C Application Example





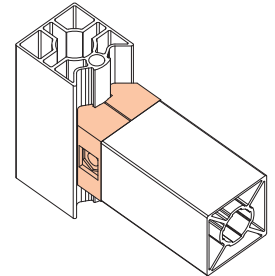
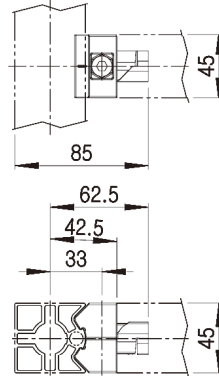
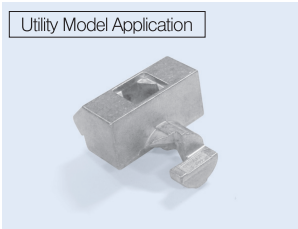
# NEW AL PROFILE RACKING SYSTEM

## 45X45 ALUMINUM JOINTS & ACCESSORIES

Unit : mm

### E-001 Square Joint for 45x45

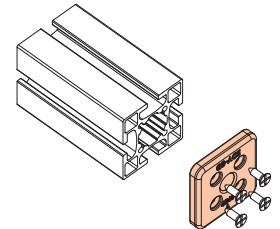
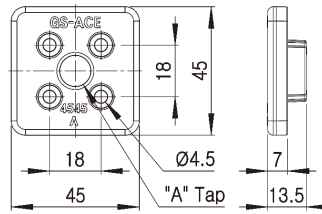
Utility Model Application



- Weight : 0.050kg
- Q'ty/Box : 100EA

- E-001 : 2EA
- M0830/N08 : 1set
- Weight : 0.120kg
- Q'ty/Box : 50set

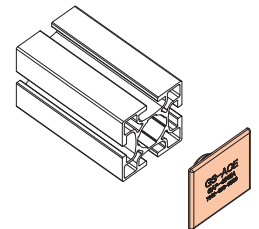
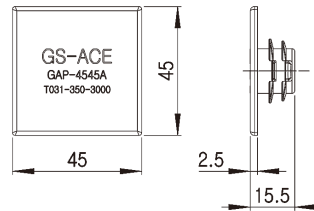
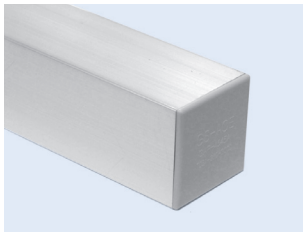
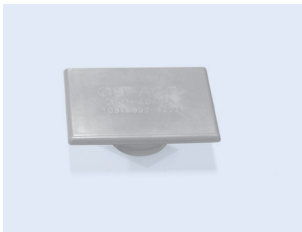
### BA4545A/B Aluminum Bushing for 45x45



- Weight : 0.034kg
- Q'ty/Box : 200EA

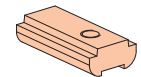
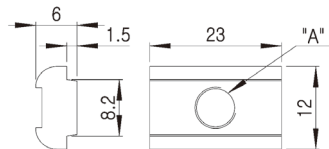
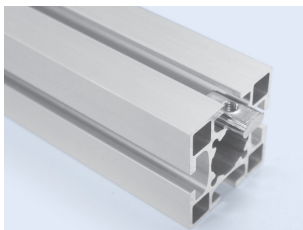
Part No.	"A" Tap	Remark
BA4545A	1/2"-12N	
BA4545B	M12-p1.75	

### GAP-4545A Inner cap for 45x45



- Weight : 0.006kg
- Q'ty/Box : 1200EA

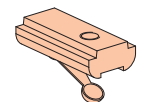
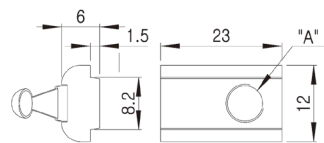
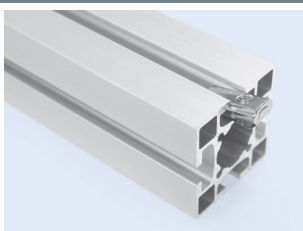
### IN404/405/406/408 Insert Nut



- Weight : 0.008kg
- Q'ty/Box : 1000EA

Part No.	"A" Tap	Remark
IN404	M4	
IN405	M5	
IN406	M6	
IN408	M8	

### SN404/405/406/408 Spring Nut



- Weight : 0.010kg
- Q'ty/Box : 1000EA

Part No.	"A" Tap	Remark
SN404	M4	
SN405	M5	
SN406	M6	
SN408	M8	

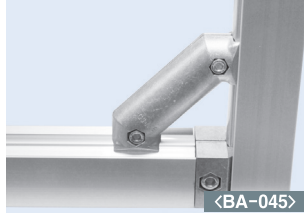
# NEW AL PROFILE RACKING SYSTEM

## ALUMINUM PROFILE APPLICATION (ACCESSORIES)

Unit : mm

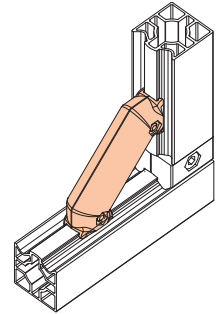
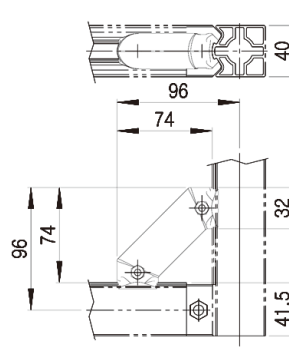
### B-045

#### Corner Joint



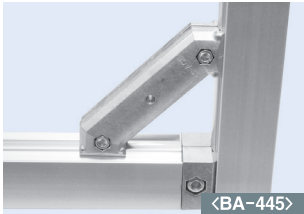
- Weight : 0.043kg
- Q'ty/Box : 100EA

- B-045 : 2EA
- M0620/N06W-55 : 2set
- Weight : 0.114kg
- Q'ty/Box : 50set



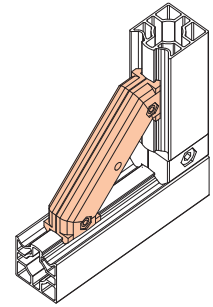
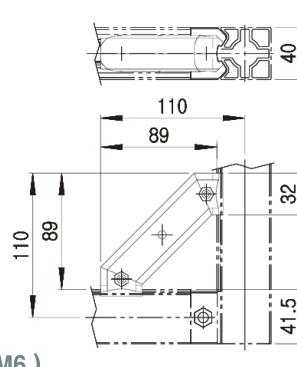
### B-445

#### Corner Joint



- Weight : 0.060kg
- Q'ty/Box : 60EA

- B-045 : 2EA
- M0620/N06W-55 : 2set
- Weight : 0.114kg
- Q'ty/Box : 50set

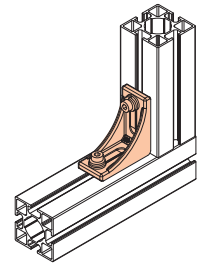
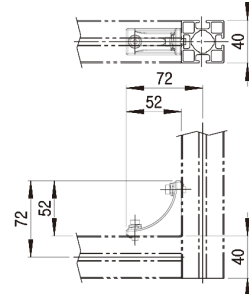


### B-060A

#### Corner Bracket for T-groove assemble ( M6 )



- Weight : 0.035kg
- Q'ty/Box : 60EA

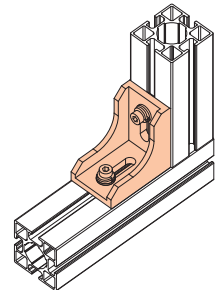
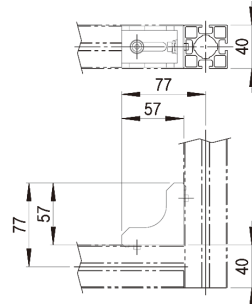


### B-080A

#### Corner Bracket for T-groove assemble ( M8 )

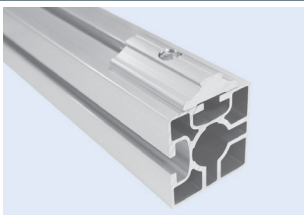


- Weight : 0.062kg
- Q'ty/Box : 40EA

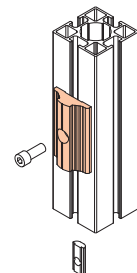
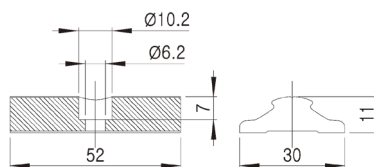


### ACY-06A

#### Mount Bracket for Joint assemble



- Weight : 0.027kg
- Q'ty/Box : 240EA



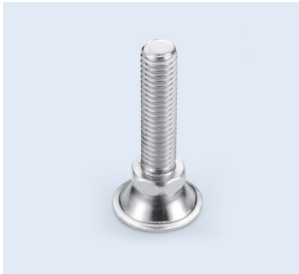


# NEW AL PROFILE RACKING SYSTEM

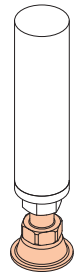
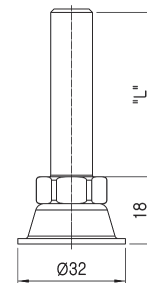
## ALUMINUM PROFILE APPLICATION (LEVELING FOOT)

Unit : mm

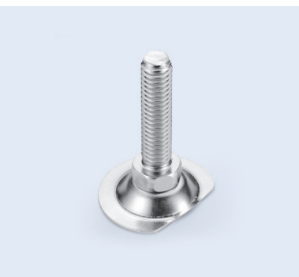
### AD32WB Leveling Foot



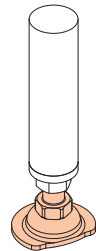
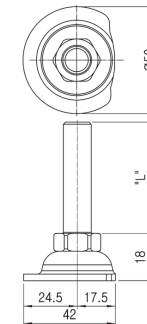
Part No.	Material	Threaded	"L"	ESD
AD32WB	Steel (WZ)	1/2"-12N	50	○
AD32WC			100	○
AD32WD			150	○
AD32WB-M		M12-P1.75	50	○



### AD50WA Leveling Foot



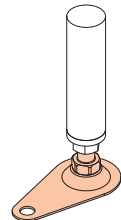
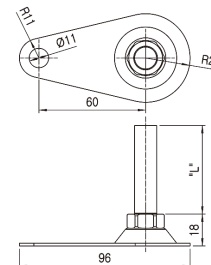
Part No.	Material	Threaded	"L"	ESD
AD50WA	Steel (WZ)	1/2"-12N	50	○
AD50WB			100	○
AD50WD			150	○
AD50WE			200	○
AD50WB-M		M12-P1.75	100	○



### AD50WA-AC Leveling Foot



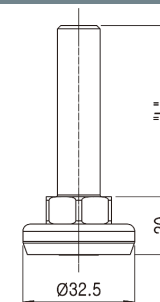
Part No.	Material	Threaded	"L"	ESD
AD50WA-AC	Steel (WZ)	1/2"-12N	50	○
AD50WB-AC			100	○
AD50WD-AC			150	○
AD50WE-AC			200	○



### AD32RA Rubber Pad Leveling Foot



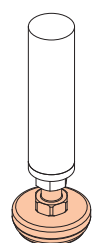
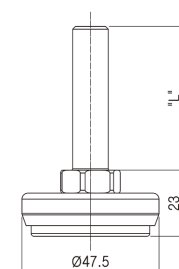
Part No.	Material	Threaded	"L"	ESD
AD32RA	Steel (WZ)	1/2"-12N	50	X
AD32RA-E				○
AD32RB			X	
AD32RB-E		○		
AD32RA-M		M12-P1.25	50	X
AD32RA-EM				○
AD32RB-EM		100	○	



### AD50RAN Rubber Pad Leveling Foot



Part No.	Material	Threaded	"L"	ESD
AD50RAN	Steel (WZ)	1/2"-12N	50	X
AD50RAN-E				○
AD50RBN			X	
AD50RBN-E		○		
AD50REN		200	X	
AD50RAN-M		M12-P1.25	50	X
AD50RAN-EM	○			
AD50RDN-M	150			X



# NEW AL PROFILE RACKING SYSTEM

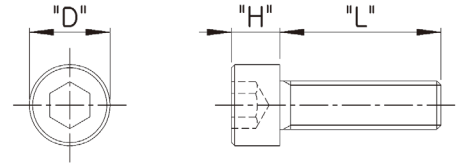
## ALUMINUM PROFILE APPLICATION (FASTENERS)

Unit : mm

### WRENCH BOLT



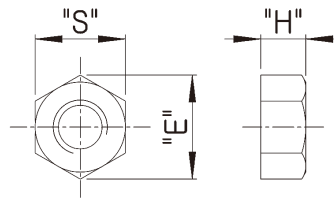
Part No.	Spec	"D"	"H"	"L"
M0612W	M6*12	10	6	12
M0615W	M6*15			15
M0620W	M6*20			20
M0625W	M6*25			25
M0830W	M8*30	13	8	30



### HEX NUT



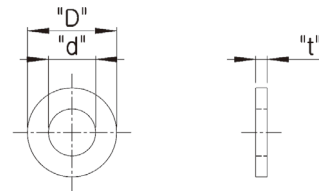
Part No.	Spec	"S"	"E"	"H"
N06W-55	M6	10	11	5.5
N08W	M8	13	14.3	6.8



### PLAIN WASHER



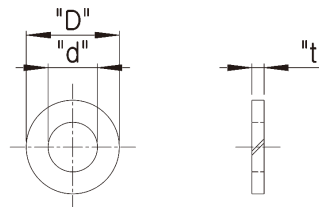
Part No.	Spec	"D"	"d"	"t"
PW04W	M4	7.6	4.1	1.0
PW05W	M5	9.2	5.1	1.3
PW06W	M6	12.2	6.1	1.5
PW08W	M8	15.4	8.2	2.0



### SPRING WASHER



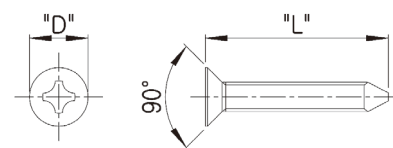
Part No.	Spec	"D"	"d"	"t"
SW04W	M4	8	4.3	0.8
SW05W	M5	10	5.3	1.0
SW06W	M6	12.5	6.4	1.6
SW08W	M8	15.5	8.4	1.6



### FLAT HEADED SCREW

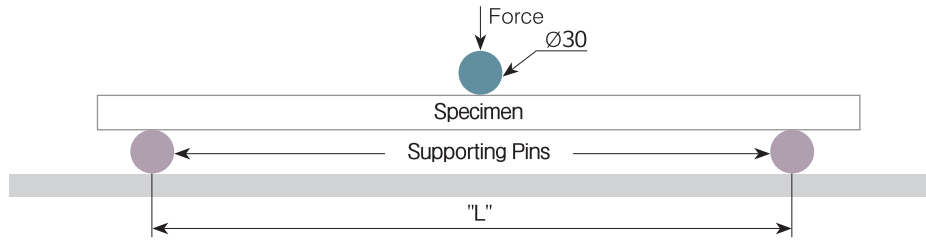


Part No.	Spec	"D"	"L"
FH0813W	FH8*13	8	13
FH0816W	FH8*16		16
FH0820W	FH8*20		20
FH0825W	FH8*25		25



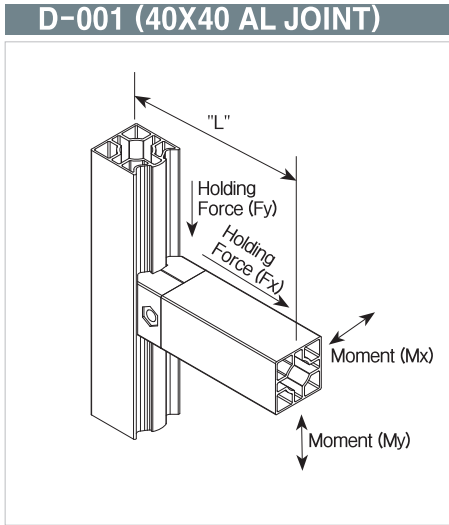
# NEW AL PROFILE RACKING SYSTEM

## TECHNICAL SPECIFICATIONS

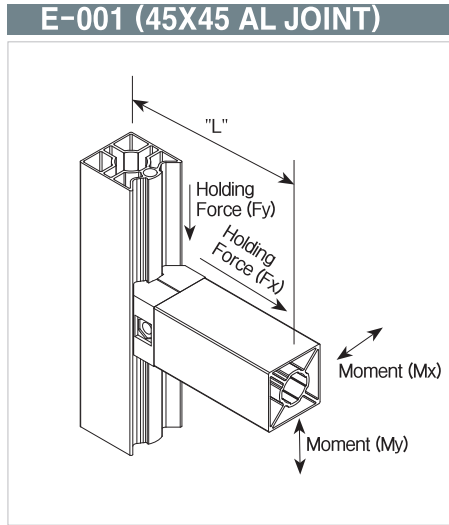


External Size	Part No.	TYPE	집중하중 (kgf)		Weight (g/m)	Second Section Moment	4M Packing quantity			
			L=500mm	L=1000mm			pcs/Bag	Bag/Pallet	pcs/Pallet	
40X40	ASJ4040A		X→	840	440	1,200	Ix : $7.73 \times 10^4 \text{ mm}^4$ Iy : $7.51 \times 10^4 \text{ mm}^4$	4 pcs	110 Bag	440 pcs
			Y↓	820	430					
	ASJ4040B		X→	850	420	1,195	Ix : $6.85 \times 10^4 \text{ mm}^4$ Iy : $6.85 \times 10^4 \text{ mm}^4$	4 pcs	110 Bag	440 pcs
			Y↓	900	450					
	ASM4040A		X→	980	490	1,292	Ix : $7.56 \times 10^4 \text{ mm}^4$ Iy : $7.70 \times 10^4 \text{ mm}^4$	4 pcs	110 Bag	440 pcs
			Y↓	900	460					
	AST4040A		X→	790	420	1,190	Ix : $7.13 \times 10^4 \text{ mm}^4$ Iy : $7.13 \times 10^4 \text{ mm}^4$	4 pcs	110 Bag	440 pcs
			Y↓	900	460					
	AST4040B		X→	970	470	1,264	Ix : $7.67 \times 10^4 \text{ mm}^4$ Iy : $7.67 \times 10^4 \text{ mm}^4$	4 pcs	110 Bag	440 pcs
			Y↓							
	AST4040C		X→	870	440	1,175	Ix : $7.72 \times 10^4 \text{ mm}^4$ Iy : $7.72 \times 10^4 \text{ mm}^4$	4 pcs	110 Bag	440 pcs
			Y↓							
45X45	ASJ4545A		X→	1000	530	1,412	Ix : $11.37 \times 10^4 \text{ mm}^4$ Iy : $10.59 \times 10^4 \text{ mm}^4$	4 pcs	90 Bag	360 pcs
			Y↓	1030	540					
	ASJ4545B		X→	940	500	1,320	Ix : $9.10 \times 10^4 \text{ mm}^4$ Iy : $9.10 \times 10^4 \text{ mm}^4$	4 pcs	90 Bag	360 pcs
			Y↓	940	530					
	ASM4545A		X→	1170	640	1,595	Ix : $12.35 \times 10^4 \text{ mm}^4$ Iy : $11.69 \times 10^4 \text{ mm}^4$	4 pcs	90 Bag	360 pcs
			Y↓	1050	620					
	AST4545A		X→	1300	660	1,513	Ix : $11.41 \times 10^4 \text{ mm}^4$ Iy : $11.41 \times 10^4 \text{ mm}^4$	4 pcs	90 Bag	360 pcs
			Y↓	1350	680					
	AST4545B		X→	1220	670	1,607	Ix : $12.47 \times 10^4 \text{ mm}^4$ Iy : $12.47 \times 10^4 \text{ mm}^4$	4 pcs	90 Bag	360 pcs
			Y↓							
	AST4545C		X→	1130	590	1,495	Ix : $12.42 \times 10^4 \text{ mm}^4$ Iy : $12.42 \times 10^4 \text{ mm}^4$	4 pcs	90 Bag	360 pcs
			Y↓							

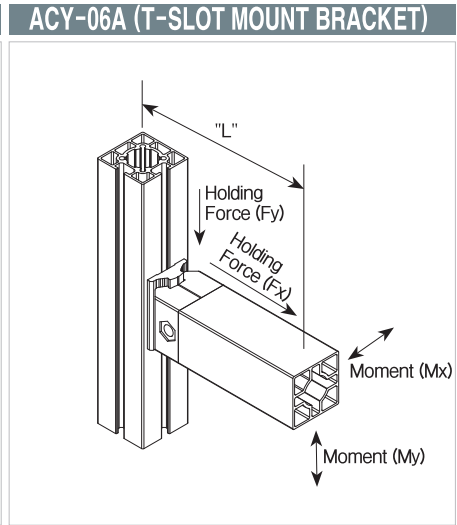
# TECHNICAL SPECIFICATIONS



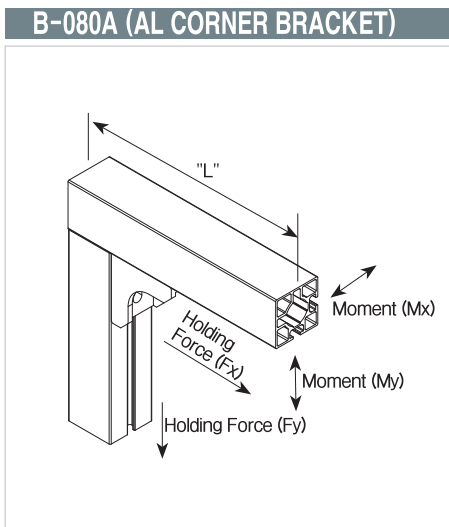
Holding Force (kgf)	Fx	180
	Fy	450
Moment (kgf) (L=110mm)	Mx	150
	My	180



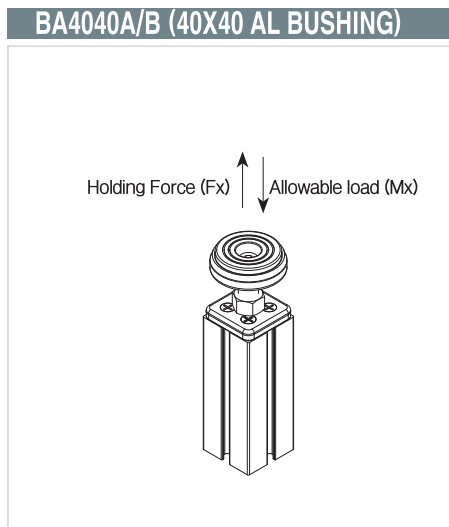
Holding Force (kgf)	Fx	220
	Fy	460
Moment (kgf) (L=110mm)	Mx	160
	My	190



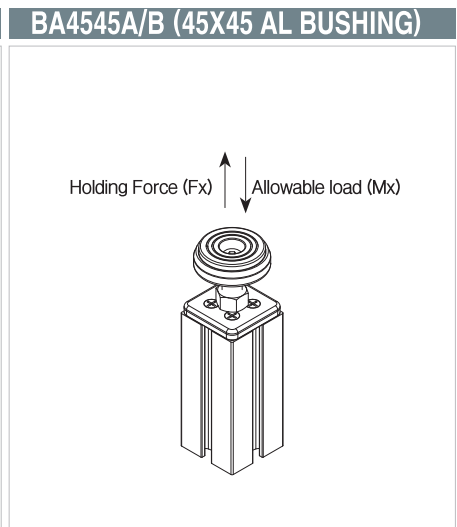
Holding Force (kgf)	Fx	170
	Fy	150
Moment (kgf) (L=110mm)	Mx	80
	My	160



Holding Force (kgf)	Fx	250
	Fy	250
Moment (kgf) (L=110mm)	Mx	50
	My	120



Holding Force (kgf)	Fx	1200
	Mx	1000



Holding Force (kgf)	Fx	1200
	Mx	1000

**G.S.ACE** G.S.ACE INDUSTRY CO., LTD.

<http://www.gsace.com>  
E-mail : gsace@gsace.com

**HEAD OFFICE / FACTORY**

13-7, Galcheonunmal-gil, Hyangnam-eup, Hwaseong-si, Gyeonggi-do, Korea  
(404-1, Songgok-ri)

TEL : 82-31-350-3000 FAX : 82-31-350-3010

**CHANGWON FACTORY**

50, Wanam-ro, Seongsan-gu, Changwon-si, Gyeongsangnam-do, Korea  
(106ho, Techzone SKtechnopark, 77-1, Seongsan-dong)

TEL: 82-55-267-8844~5 FAX : 82-55-267-7704